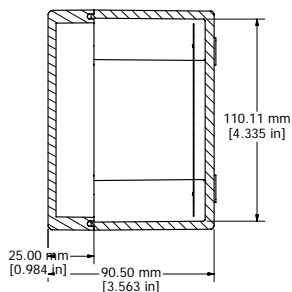
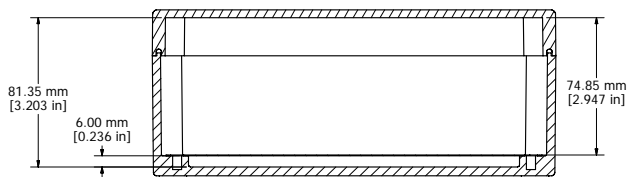
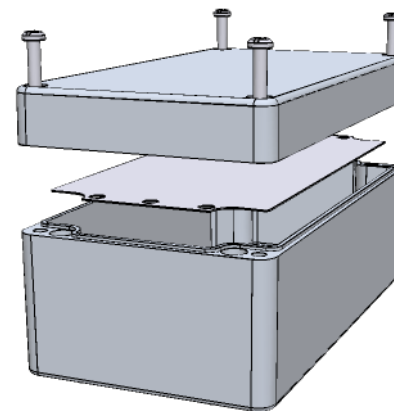


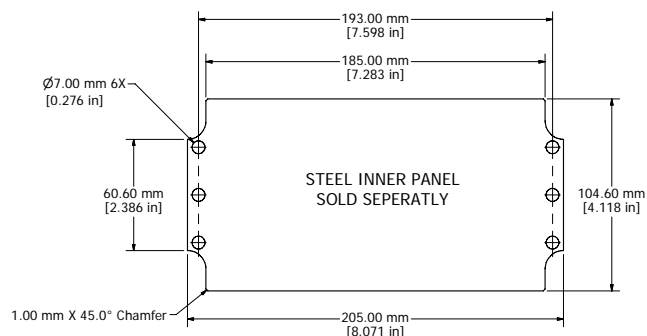
ASSEMBLY



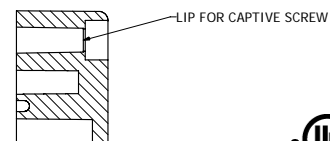
SECTION A-A



SECTION B-B

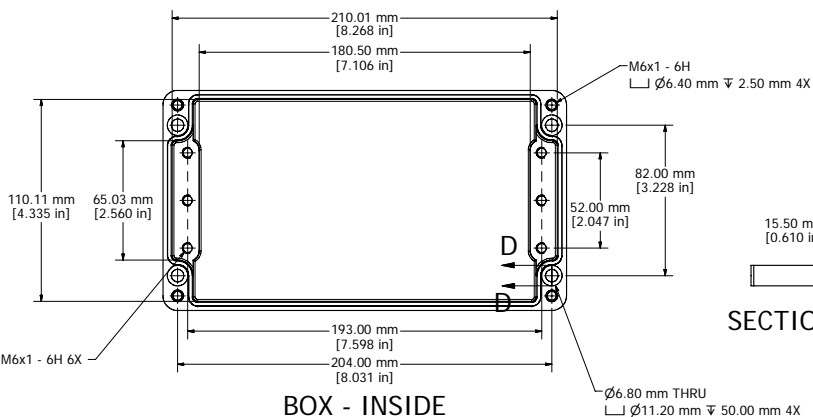


INNER PANEL

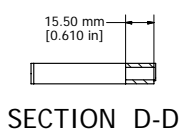


**UL** US LISTED

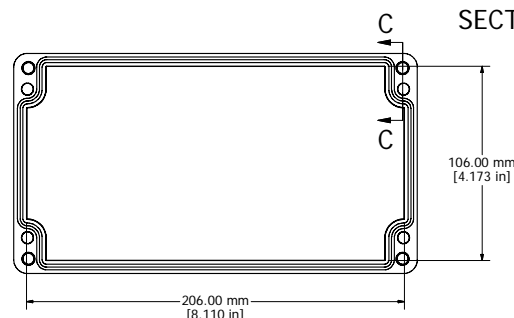
File #E65324  
NEMA 4, 4X



BOX - INSIDE



SECTION D-D



LID - INSIDE

SECTION C-C

FIBERGLASS ENCLOSURE	
INCLUDES	
1	ENCLOSURE
4	M5 x 30mm PAN HEAD SCREWS
ACCESSORIES	
STEEL INNER PANEL	1590ZGRP123PL

**HAMMOND**  
**MANUFACTURING™**  
1590ZGRP123  
www.hammondmfg.com